



connect,
innovate,
grow

Enterprise Europe Network

Shak Gohir
EEN Practice Director
shak.gohir@uk-cpi.com



Enterprise Europe Network

connect,
innovate,
grow

- ★ **World's largest business and innovation support network**
 - ★ Assisting businesses to benefit from the European Union
 - ★ Offering localised services
- ★ **600 organisations in 40 EU and associated countries**
 - ★ Includes 27 EU member states
 - ★ European Economic Area such as Norway
 - ★ Candidate EU countries such as Turkey
 - ★ Associated countries such as Chile, USA, China
- ★ **Focused New Sector Groups**
 - ★ Chair the Chemicals Sector Group – Gillian Kears
 - ★ Renewable Energy, Nanotechnology, ICT and Healthcare
- ★ **Our regional hub is operated by the Centre for Process Innovation in close partnership with One NorthEast**



Created by merging existing networks

connect,
innovate,
grow

Enterprise Europe Network for North East England

- ★ **The DG Enterprise is merging its core support services:**
- ★ **Euro Info Centre (EIC)**
- ★ **Innovation Relay Centre (IRC)**
- ★ **Framework Programme Seven (FP7)**

- ★ **Reducing fragmentation and costs; further enhance services**
- ★ **EIC and IRC partner and technology databases will be merged into one**

- ★ **Strategic frontline business and innovation support network**



Our regional positioning in the Network

connect,
innovate,
grow

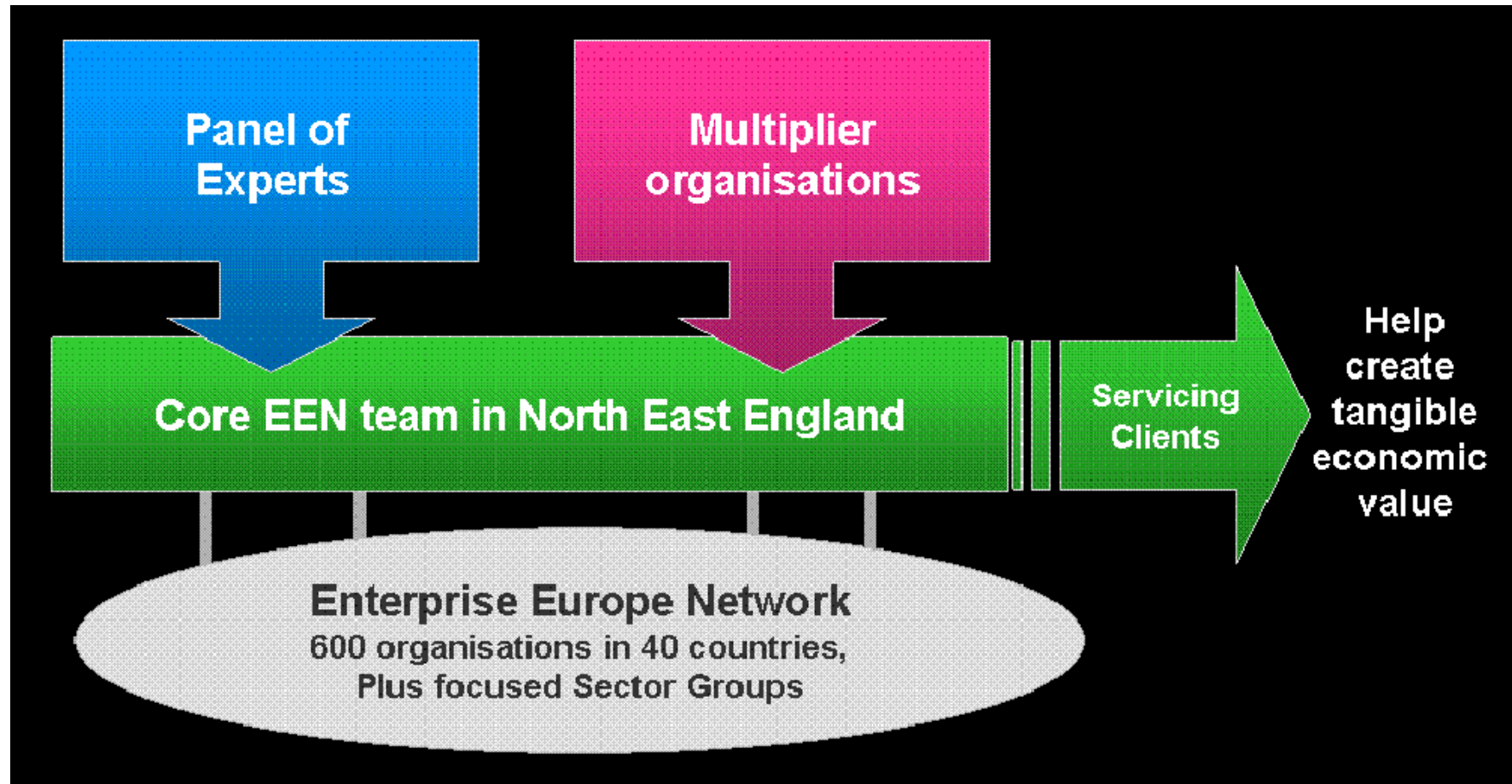
- ★ Establish a regional asset that will assist regional businesses, in particular SMEs, to access the opportunities offered by the **European Market**

- ★ Establish a regional asset that can be leveraged by organisations to **strategically assist** them in securing grants and funds for applied market-led R&D:
 - **Energy and the Environment**
 - **Process Innovation**
 - **Healthcare and Health Sciences**
 - **Digital Technologies**



How we operate within the region

connect,
innovate,
grow



connect,
innovate,
grow

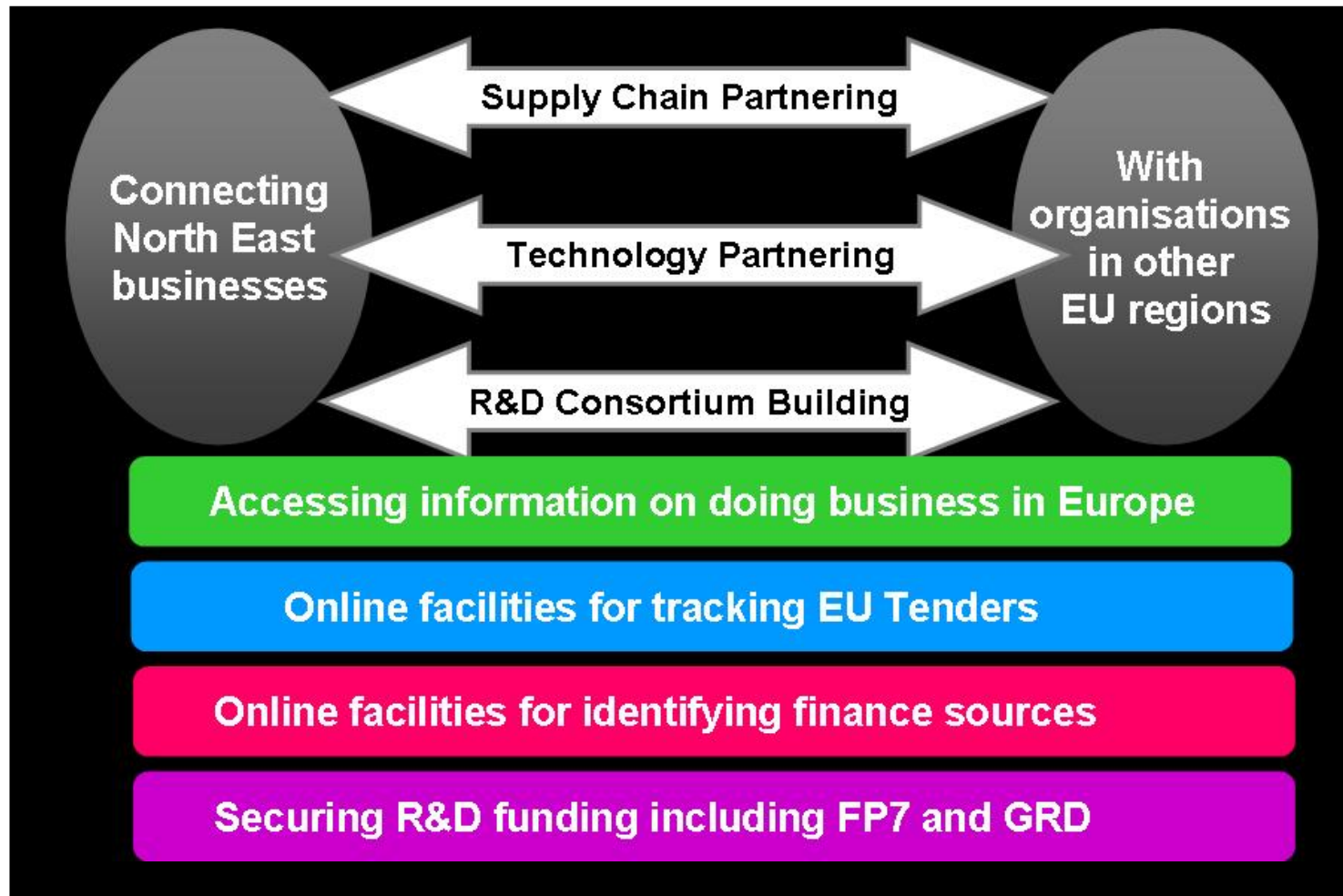
Panel of experts

- ★ Panel assembles experts with integrated skills in **EU Framework Programme**, **R&D proposal writing** and **technology commercialisation**:
 - ★ Network New Europe
 - ★ Axiom Technologies
 - ★ Kite Innovation
 - ★ Finance Tree
 - ★ Arrow Science
 - ★ Amanda McMurray
 - ★ Innovation Realisation



Innovation and growth services

connect,
innovate,
grow



connect,
innovate,
grow

Questions on business in Europe



Contact us - www.een-northeast.co.uk

FP7 Services

connect,
innovate,
grow



Strategy building for sourcing R&D funds
Shaping R&D projects
Proposal Clinics

Access ideas for call alignment
Finding relevant EU policies
Project idea diligence

Coaching, review and assistance
Partner search
Full support via shared-risk model

Analyse EC Feedback report
Contract negotiations
Full support via shared-risk model

Regional FP7 training workshops

Other funding sources: BERR Grant for R&D and new JTI



FP7 Shared-Risk Service Model

connect,
innovate,
grow

- ★ We are presently establishing a new shared-risk model for FP7 with Kite Innovation
- ★ Targeted at strategic and regionally led proposals
- ★ Must be strategic to the organisation's own future and growth
- ★ Consortium must include a regional R&D intensive company
- ★ Subject to prior diligence by CPI and Kite Innovation
- ★ **Fee for Shared-Risk Model (intensive and high commitment):**
 - Initial upfront fee and will be covered by us:
 - 100% for SMEs or 50% for larger enterprises of £4 – £5K, plus expenses capped 10%
 - Success fee covered by engaging regional partner and/or consortium
 - Success fee payable ONLY once the project actually starts

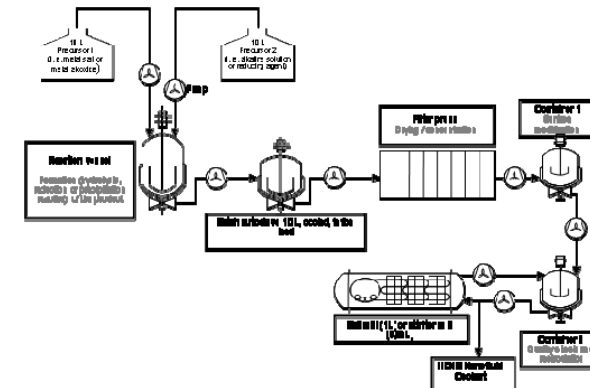
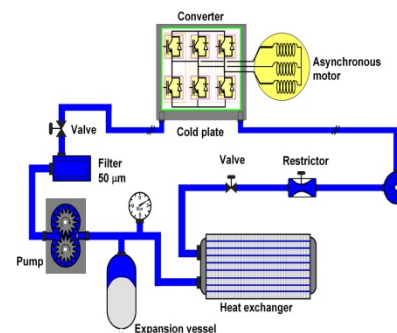
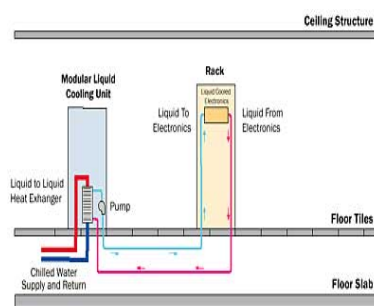


Kite Innovation
assisted a FP7
proposal that scored
15 out of 15



NMP case study: Ultra-high performance coolant

- **Clients Thermacore, Siemens, ItN Nanovation & IS&S**
- Development of ultra-high performance coolant
- Will be **led from the region** by Thermacore (8M Euro)
- Design, development and scale-up of **production pilot-lines**
- Two industrial demonstrators
 - Data centre cooling
 - Power electronics cooling



connect,
innovate,
grow

Regional team

★ Research and Innovation support

- ★ Gillian Kears – Business Innovation Manager
- ★ Arun Harish – Business Innovation Consultant
- ★ Gram Bulman – Project Manager

★ European Information and business support

- ★ Graham Wilson – European Business Manager
- ★ Clare McKeague – European Business Executive
- ★ Sarah Potter – European Business Advisor

★ Shak Gohir – Practice Director

- ★ Email: shak.gohir@uk-cpi.com





connect,
innovate,
grow

Thank you

Shak Gohir
Practice Director

www.een-northeast.co.uk

